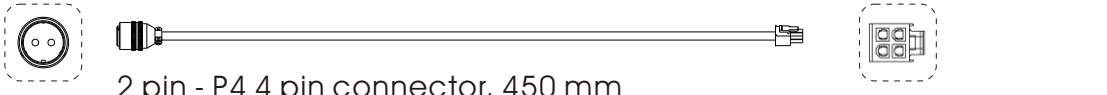
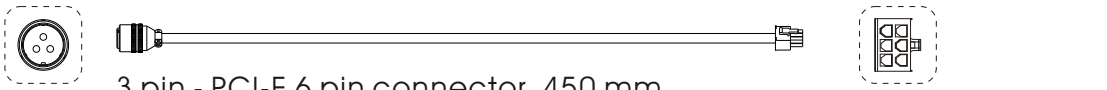
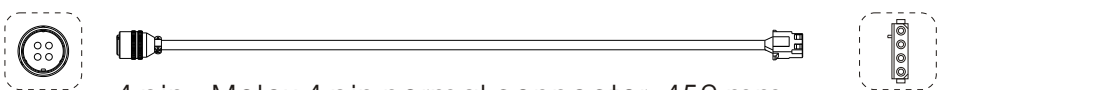
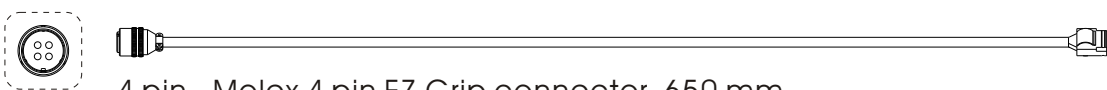


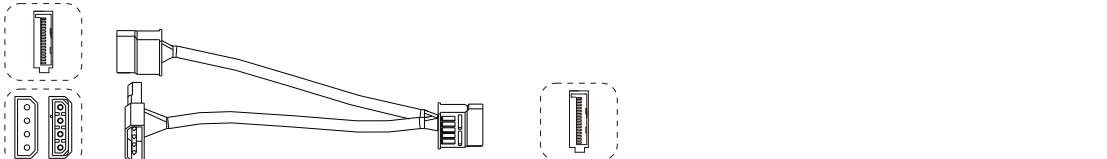
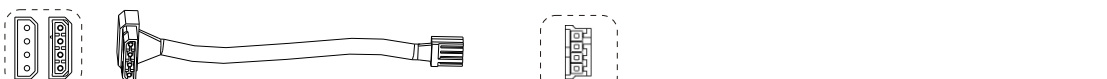
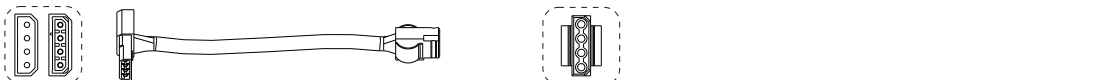
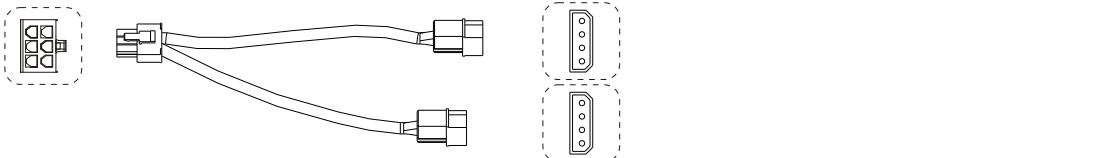


# Hiper Type-R PSU 580W Series Cable Configuration

## Main Connections

-  2 pin - P4 4 pin connector, 450 mm
-  3 pin - PCI-E 6 pin connector, 450 mm
-  4 pin - Molex 4 pin normal connector, 450 mm
-  4 pin - Molex 4 pin EZ-Grip connector, 650 mm
-  4 pin - Molex 4 pin EZ-Grip connector, 350 mm
-  4 pin - Molex 4 pin EZ-Grip connector, 250 mm

## eXtender™ connections

-  eXtender™ Molex 4 pin to two SATA connector 150 mm x 2
-  eXtender™ Molex 4 pin to floppy connector, 150 mm x 1
-  eXtender™ Molex 4 pin to Molex 4 pin EZ-Grip connector, 150 mm x 4
-  PCI-E 6 pin to two Molex 4 pin 150 mm x 1